

# ATHENA SPECIFICATIONS

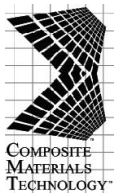
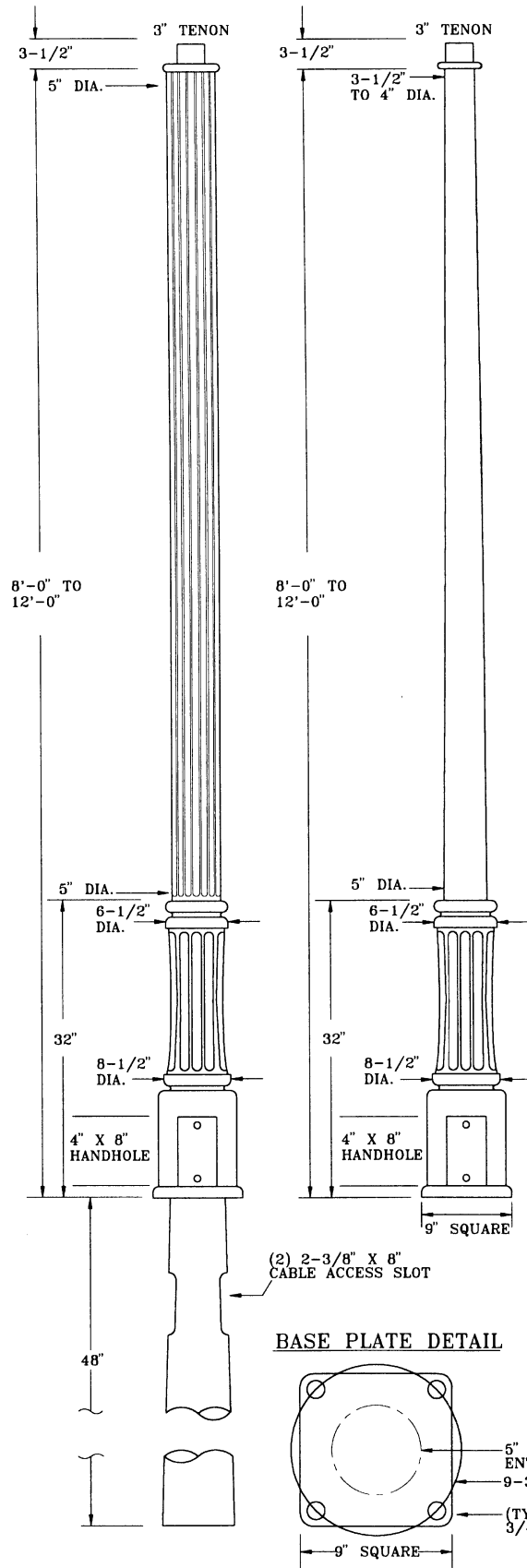
- 1. CONSTRUCTION** The pole shall be constructed of a fiber-reinforced composite using structural glass and polyester resin.
- 2. COATING** A minimum 1-1/2 mil pigmented urethane UltraCoat™ coating shall be applied to the pole.
- 3. COLORS** The UltraCoat™ coating shall be pigmented with the following colors: a) Standard - Black, Green and Dark Bronze, b) Optional - Consult factory
- 4. FINISH** Standard finish is a smooth pigmented Ultra-Coat™ coating. Optional finishes include textured and exposed aggregate UltraCoat™ coatings.
- 5. BASE** The pole shall be available in Anchor base and **PLUS-BASE** styles. Anchor base styles are secured with four galvanized steel anchor bolts as specified. **PLUS-BASE** poles have two each standard 2-3/8" x 8" cable access holes.
- 6. STRENGTH** The pole shall withstand up to and including 100 mph winds with a 1.3 gust factor combined with an EPA of 3.5 sq. ft. Consult factory for higher EPA's and wind loads.
- 7. HANDHOLE** The handhole shall have minimum dimensions as shown in detail and located on the decorative base.
- 8. TENON** The tenon shall be 3" or 2-3/8" O.D. and constructed of cast aluminum.
- 9. HEIGHTS** Standard heights are as shown. Consult factory for heights not shown.
- 10. ANCHOR BASE** Anchor base poles shall contain a base plate constructed of composite material and shall be free of metal.
- 11. SHAFT DESCRIPTION** The fluted shafts shall be formed with 16 flutes. Smooth finish shafts shall be centrifugally cast with smooth tapered surface. Shaft shall not include any metal reinforcement.

## CATALOG NUMBER LEGEND

<b>SERIES</b> L Legacy Series	<b>POLE INSTALLATION</b> A Anchor Base B Plus-Base	<b>FINISH</b> S Smooth T Textured E Exposed Aggregate	<b>TENON</b> T238-2-3/8" T300-3"
<b>POLE STYLE</b> A Athena	<b>POLE LENGTH</b> 8-12	<b>COLOR</b> 2 DARK BRONZE 3 BLACK 6 GREEN 0 SPECIAL COLOR (SUPPLY COLOR CHIP WITH ORDER)	<b>SHAFT</b> F Fluted S Smooth

**L A A 12 - S - 6 - T 3 0 0 - F \***

\*Add "-GFI" for Ground Fault Interruption



**Corporate Headquarters**  
5600 Roswell Road • Suite E-350  
Atlanta, GA 30342  
Phone: 404-475-1205 • FAX: 404-475-1217

**Manufacturing Facility**  
41 Wood Street • Estill, SC 29918  
Phone: 803-625-3131 • FAX: 803-625-4722  
www.compositematerialstech.com



Contact us or contact your Legacy Representative: