

PROMENADE SPECIFICATIONS

- 1. CONSTRUCTION** The pole shall be constructed of a fiber-reinforced composite using structural glass and polyester resin.
- 2. COATING** A minimum 1-1/2 mil pigmented urethane UltraCoat™ coating shall be applied to the pole.
- 3. COLORS** The UltraCoat™ coating shall be pigmented with the following colors: a) Standard - Black, Green and Dark Bronze, b) Optional - Consult factory
- 4. FINISH** Standard finish is a smooth pigmented Ultra-Coat™ coating. Optional finishes include textured and exposed aggregate UltraCoat™ coatings.
- 5. BASE** The pole shall be available in Anchor base and **PLUS-BASE** styles. Anchor base styles are secured with four galvanized steel anchor bolts as specified. **PLUS-BASE** poles have two each standard 2-3/8" x 8" cable access holes.
- 6. STRENGTH** The pole shall withstand up to and including 100 mph winds with a 1.3 gust factor combined with an EPA of 3.5 sq. ft. Consult factory for higher EPA's and wind loads.
- 7. HANDHOLE** The handhole shall have minimum dimensions as shown in detail and located on the decorative base.
- 8. TENON** The tenon shall be 3" or 2-3/8" O.D. and constructed of cast aluminum.
- 9. HEIGHTS** Standard heights are as shown. Consult factory for heights not shown.
- 10. ANCHOR BASE** Anchor base poles shall contain a base plate constructed of composite material and shall be free of metal.
- 11. SHAFT DESCRIPTION** The fluted shafts shall be formed with 16 flutes. Smooth finish shafts shall be centrifugally cast with smooth tapered surface. Shaft shall not include any metal reinforcement.

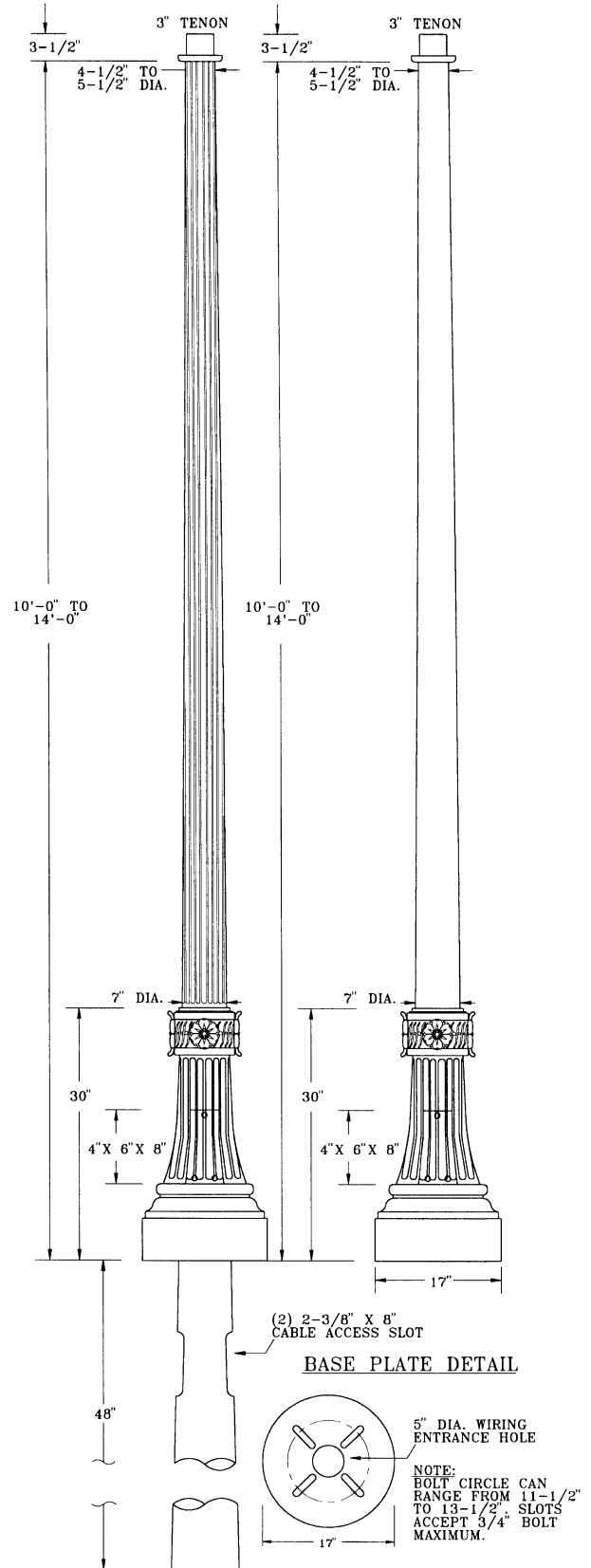
CATALOG NUMBER LEGEND

SERIES L Legacy Series	POLE INSTALLATION A Anchor Base B Plus-Base	FINISH S Smooth T Textured E Exposed Aggregate	TENON T238-2-3/8" T300-3"
----------------------------------	--	--	--

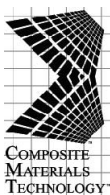
LPRA 12-S-6-T300-F *

POLE STYLE PR Promenade	POLE LENGTH 10-14	COLOR 2 DARK BRONZE 3 BLACK 6 GREEN 0 SPECIAL COLOR (SUPPLY COLOR CHIP WITH ORDER)	SHAFT F Fluted S Smooth
-----------------------------------	-----------------------------	--	--------------------------------------

*Add "-GFI" for Ground Fault Interruption



Contact us or contact your Legacy Representative:



Corporate Headquarters
5600 Roswell Road • Suite E-350
Atlanta, GA 30342
Phone: 404-475-1205 • FAX: 404-475-1217

Manufacturing Facility
41 Wood Street • Estill, SC 29918
Phone: 803-625-3131 • FAX: 803-625-4722
www.compositematerialstech.com

